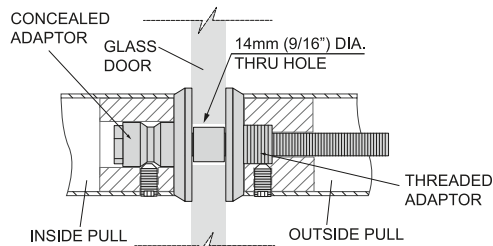
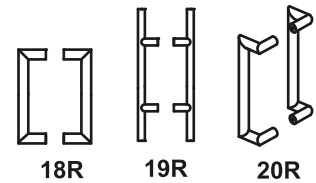


DOREX DOOR PULL INSTALLATION - GLASS DOOR (SERIES 18, 19 & 20)

BACK TO BACK PULLS FOR GLASS DOORS 8 – 13 mm (5/16 – 1/2") THICK

ROUND PULL

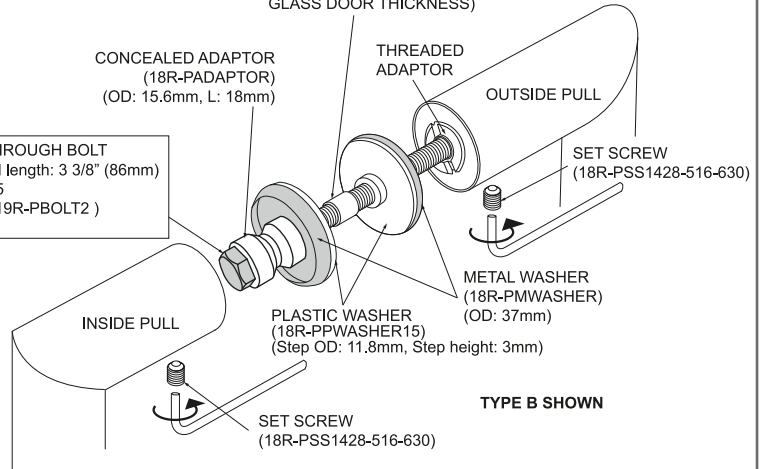
APPLICABLE TO PULL MODELS:
18R 24, 36, 48, 60, 72
19R 12, 24, 36, 48, 60, 72
20R 10, 24, 36, 48, 60



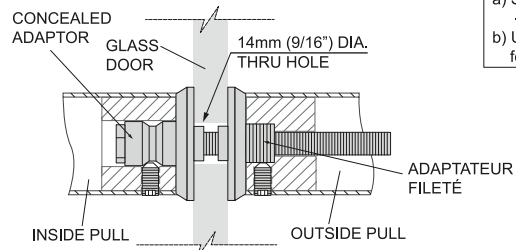
**TYPE A
(PLASTIC PLAIN WASHER
PLUS BUSHING)**

PLASTIC BUSHING (OD: 12mm, L: 10mm)
(OPTIONAL, USE WITH PLAIN PLASTIC
WASHER PER TYPE A. IF REQUIRED, CUT TO FIT
GLASS DOOR THICKNESS)

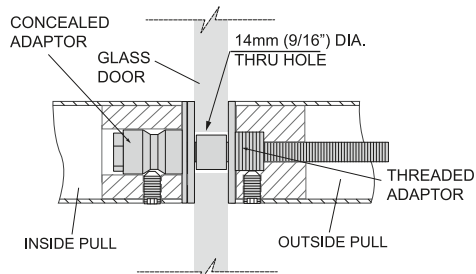
5/16" - 18 UNC THROUGH BOLT
a) Standard thread length: 3 3/8" (86mm)
- 19R-PBOLT35
b) Use 2" bolt kit (19R-PBOLT2)
for 19R series



TYPE B SHOWN



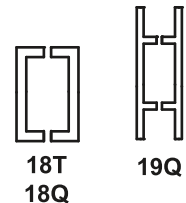
**TYPE B
(PLASTIC WASHER WITH
STEP BUSHING)**



**TYPE A
(PLASTIC PLAIN WASHER
WITH BUSHING)**

RECTANGULAR PULL

APPLICABLE TO PULL MODELS:
18T 24, 36, 48, 60, 72

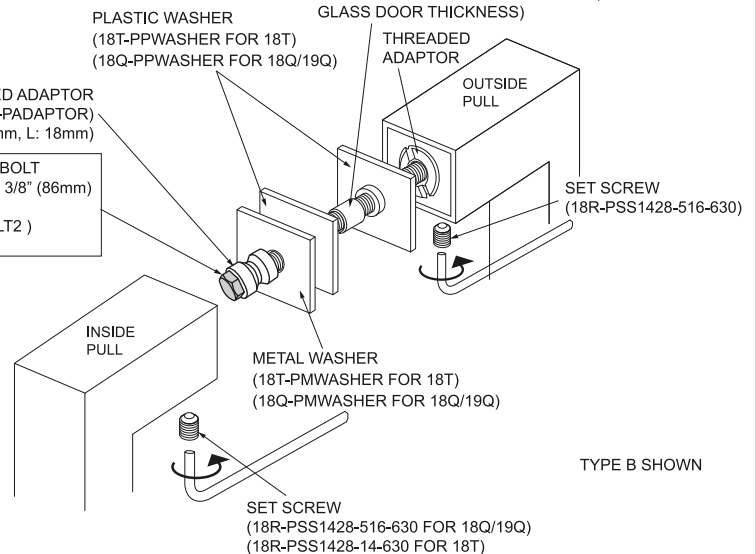


SQUARE PULL

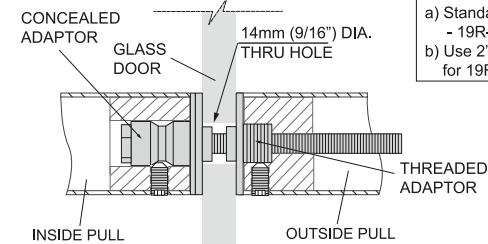
APPLICABLE TO PULL MODELS:
18Q 24, 36, 48, 60, 72
19Q 12, 24, 36, 48, 60, 72

PLASTIC BUSHING (OD: 12mm, L: 10mm)
(OPTIONAL, USE WITH PLAIN PLASTIC
WASHER PER TYPE A. IF REQUIRED, CUT TO FIT
GLASS DOOR THICKNESS)

5/16" - 18 UNC THROUGH BOLT
a) Standard thread length: 3 3/8" (86mm)
- 19R-PBOLT35
b) Use 2" bolt kit (19R-PBOLT2)
for 19R series



TYPE B SHOWN



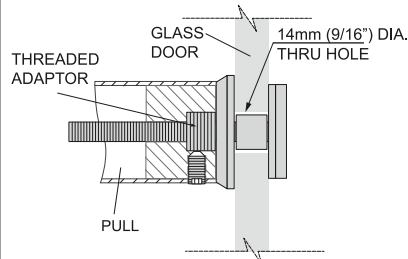
**TYPE B
(PLASTIC WASHER WITH
STEP BUSHING)**

DOREX DOOR PULL INSTALLATION - GLASS DOOR (SERIES 18, 19 & 20)

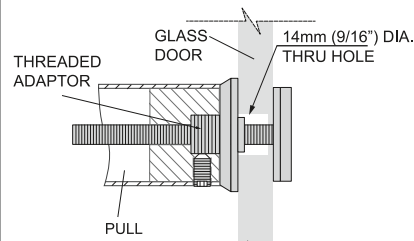
SINGLE PULL
FOR GLASS DOORS 8 – 12 mm (5/16 – 1/2") THICK

ROUND PULL

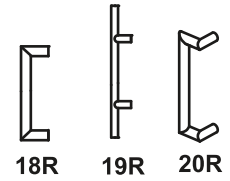
APPLICABLE TO PULL MODELS:
18R 24, 36, 48, 60, 72
19R 12, 24, 36, 48, 60, 72
20R 10, 24, 36, 48, 60



TYPE A
(PLASTIC PLAIN WASHER WITH BUSHING)

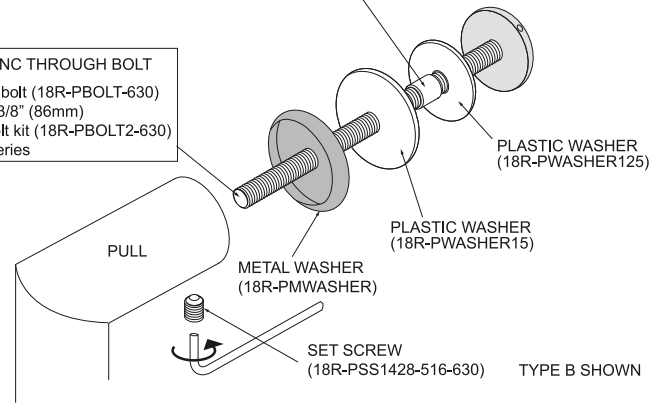


TYPE B
(PLASTIC WASHER WITH STEP BUSHING)



PLASTIC BUSHING (OD: 12mm, L: 10mm)
 (OPTIONAL, USE WITH PLAIN PLASTIC WASHER PER TYPE A. IF REQUIRED, CUT TO FIT GLASS DOOR THICKNESS)

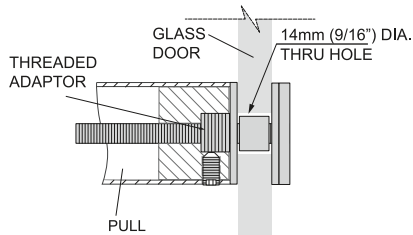
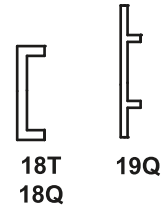
5/16" - 18 UNC THROUGH BOLT
 a) Standard bolt (18R-PBOLT-630)
 length: 3 3/8" (86mm)
 b) Use 2" bolt kit (18R-PBOLT2-630)
 for 19R series



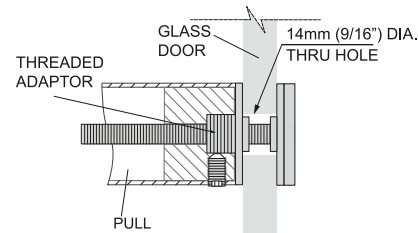
GLASS DOOR MOUNTING KIT: 18R-PSGKIT-630

RECTANGULAR PULL

APPLICABLE TO PULL MODELS:
18T 24, 36, 48, 60, 72



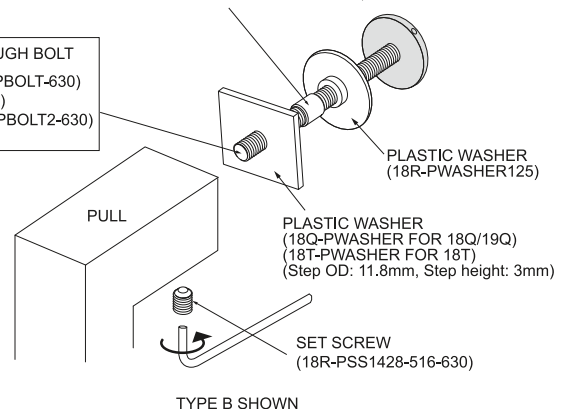
TYPE A
(PLASTIC PLAIN WASHER WITH BUSHING)



TYPE B
(PLASTIC WASHER WITH STEP BUSHING)

PLASTIC BUSHING (OD: 12mm, L: 10mm)
 (OPTIONAL, USE WITH PLAIN PLASTIC WASHER PER TYPE A. IF REQUIRED, CUT TO FIT GLASS DOOR THICKNESS)

5/16" - 18 UNC THROUGH BOLT
 a) Standard bolt (18R-PBOLT-630)
 length: 3 3/8" (86mm)
 b) Use 2" bolt kit (18R-PBOLT2-630)
 for 19Q series



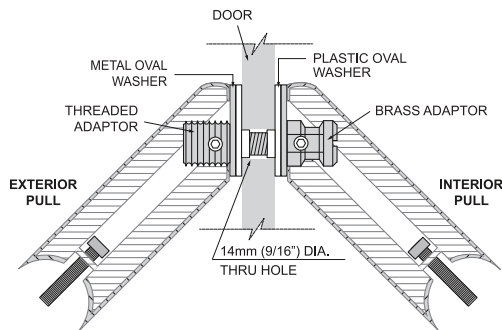
TYPE B SHOWN

**45 DEGREE OFFSET BACK TO BACK LADDER PULLS
FOR GLASS DOORS 8 – 13 mm (5/16 – 1/2") THICK**

BACK-TO-BACK (PAIRED) PULLS:

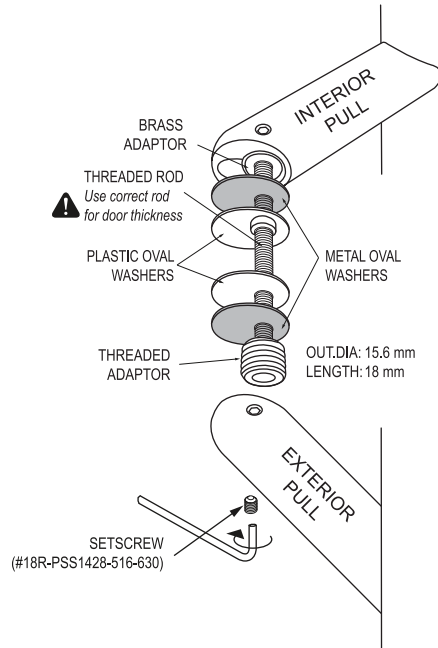
⚠ Choose the correct threaded rod length for the required door thickness:

- GLASS DOORS: 1 7/16" (36 mm) rod
- WOOD OR METAL DOORS: 1 3/4" (44.5 mm); 2 11/16" (68 mm) rod
- WOOD OR METAL DOORS: 2 1/4" (57 mm); 3 1/8" (80 mm) rod



ROUND PULL

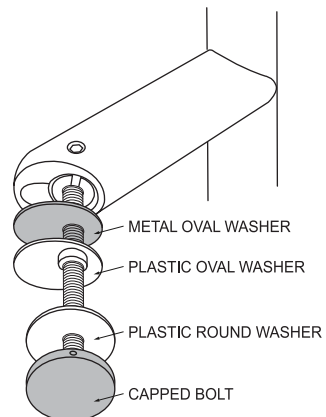
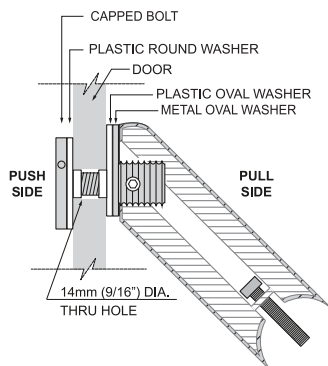
APPLICABLE TO PULL MODELS:
**19R12E45, 19R24E45, 19R36E45
19R48E45, 19R60E45**



SINGLE PULL:

⚠ Choose the correct threaded rod length for the required door thickness:

- GLASS DOORS: 1 7/16" (36 mm) rod
- WOOD OR METAL DOORS: 1 3/4" (44.5 mm); 2 11/16" (68 mm) rod
- WOOD OR METAL DOORS: 2 1/4" (57 mm); 3 1/8" (80 mm) rod



DOREX DOOR PULL INSTALLATION - WOOD OR METAL DOOR (SERIES 18, 19 & 20)

BACK TO BACK PULLS

FOR WOOD & METAL DOORS 35 – 57 mm (1 3/8 – 2 1/4") THICK

ROUND PULL

APPLICABLE TO PULL MODELS:
18R 24, 36, 48, 60, 72
19R 12, 24, 36, 48, 60, 72
20R 10, 24, 36, 48, 60

CONCEALED ADAPTOR (18R-PADAPTOR) (OD: 15.6mm, L: 18mm)
 THREADED ADAPTOR
 5/16" - 18 UNC THROUGH BOLT
 a) Standard length: 3 3/8" (86mm)
 b) For 2-1/4" thick door, use 4" bolt (18-PBOLT4)

INSIDE PULL
 3/8" (9.5mm) DIA. THRU HOLE
 OUTSIDE PULL
 METAL WASHER (18R-PMWASHER)
 SET SCREW (18R-PSS1428-516-630)

18R 19R 20R

RECTANGULAR PULL

APPLICABLE TO PULL MODELS:
18T 24, 36, 48, 60, 72
20T 10, 24, 36, 48, 60

SQUARE PULL

APPLICABLE TO PULL MODELS:
18Q 24, 36, 48, 60, 72
19Q 12, 24, 36, 48, 60, 72

CONCEALED ADAPTOR
 THREADED ADAPTOR
 3/8" (9.5mm) DIA. THRU HOLE
 INSIDE PULL
 OUTSIDE PULL

FOR ONLY: 18T / 18Q / 19Q
 5/16" - 18 UNC THROUGH BOLT
 a) Standard length: 3 3/8" (86mm)
 b) For 2-1/4" thick door, use 4" bolt (18-PBOLT4)

METAL WASHER (18T-PMWASHER FOR 18T) (18Q-PMWASHER FOR 18Q/19Q) (20T-PMWASHER FOR 20T)
 THREADED ADAPTOR
 18T 20T 18Q
 SET SCREW (18R-PSS1428-516-630)
 CONCEALED ADAPTOR (18R-PADAPTOR FOR 18T/18Q/19Q) (20T-PADAPTOR FOR 20T)
 SET SCREW (18R-PSS1428-516-630 FOR 18Q/19Q/20T) (18R-PSS1428-14-630 FOR 18T)

18T 18Q 19Q 20T*

* See page 4 for aluminum doors

SINGLE PULL

FOR WOOD & METAL DOORS 35 – 57 mm (1 3/8 – 2 1/4") THICK

ROUND PULL

APPLICABLE TO PULL MODELS:
18R 24, 36, 48, 60, 72
19R 12, 24, 36, 48, 60, 72
20R 10, 24, 36, 48, 60

THREADED ADAPTOR
 DOOR
 PULL
 3/8" (9.5mm) DIA. THRU HOLE

5/16" - 18 UNC THROUGH BOLT
 Standard bolt (18R-PBOLT-630) length: 3 1/2" (90mm)
 For 2-1/4" thick door, use 4" bolt (18-PBOLT4-630)

METAL WASHER (18R-PMWASHER)
 SET SCREW (18R-PSS1428-516-630)

18R 19R 20R

RECTANGULAR PULL

APPLICABLE TO PULL MODELS:
18T 24, 36, 48, 60, 72
20T 10, 24, 36, 48, 60

SQUARE PULL

APPLICABLE TO PULL MODELS:
18Q 24, 36, 48, 60, 72
19Q 12, 24, 36, 48, 60, 72

THREADED ADAPTOR
 DOOR
 PULL
 3/8" (9.5mm) DIA. THRU HOLE

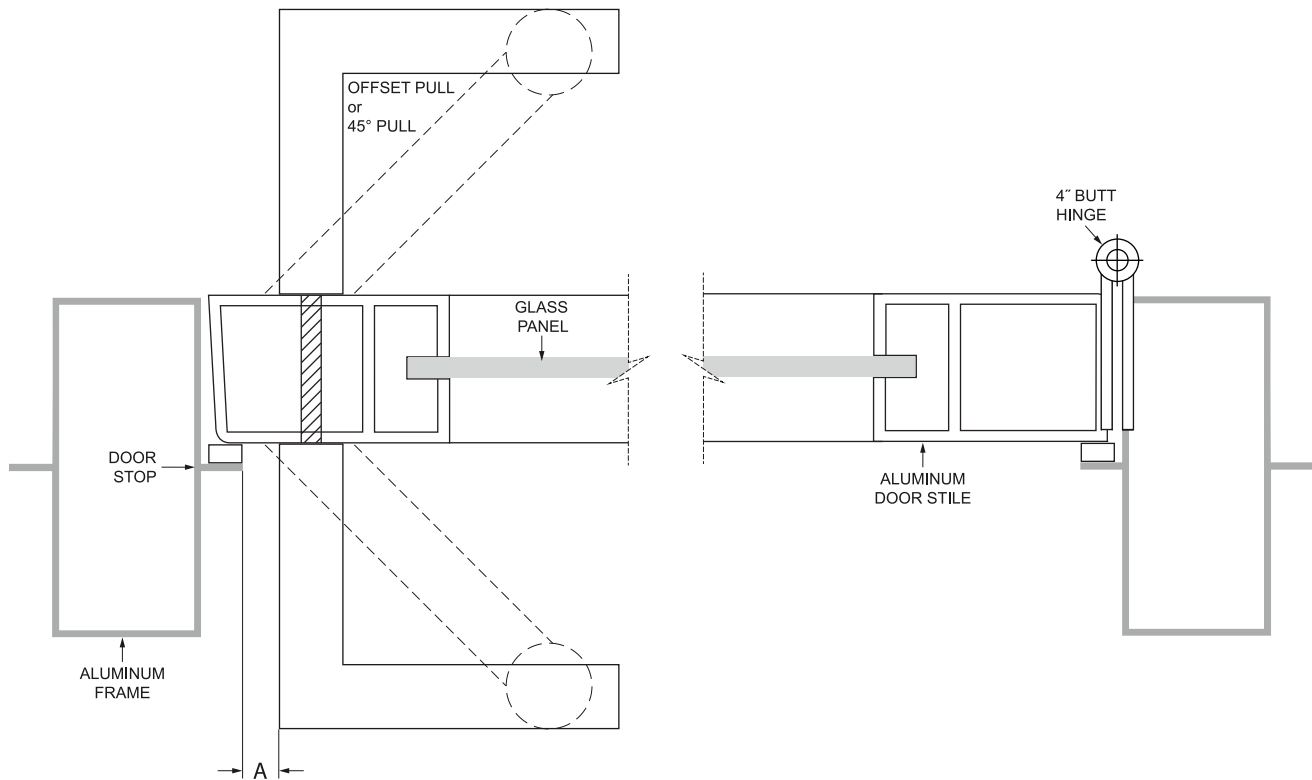
5/16" - 18 UNC THROUGH BOLT
 Standard bolt (18R-PBOLT-630) length: 3 1/2" (90mm)
 For 2-1/4" thick door, use 4" bolt (18R-PBOLT4-630)

18T 18Q 19Q 20T*

* See page 4 for aluminum doors

DOREX DOOR PULL INSTALLATION - ALUMINUM DOOR (SERIES 20T OFFSET PULL)

BACK TO BACK PULLS FOR ALUMINUM DOORS



Gap "A" (between door stop and pull) must be at least $\frac{1}{2}$ " (13mm) for aluminum doors 36" (914mm) wide or wider, hung using standard 4" butt hinges or standard mortised aluminum continuous geared hinges.

Stainless Steel Care & Maintenance Guide

Stainless steel is corrosion resistant and does not readily corrode, rust or stain. Stainless steel corrosion resistance is due to the presence of a thin, durable film of chromium oxide. Chromium oxide is inert, invisible, self-repairing and provides an unrivalled protection for the steel; should the film be damaged or removed it will regenerate, provided that oxygen is present to allow the chromium content of the steel to react with it.

Surface contaminants hinder the ability of stainless steel to regenerate its protective film, allowing dark brown spots to occur on its surface. Thus routine maintenance and cleanliness are essential to ensure the quality and appearance of the stainless steel product.

Recommended Maintenance

- Clean stainless steel surfaces regularly using a mild cleaning agent to remove any surface contaminants.
- After cleaning, use CLEAN water to remove traces of the cleaning agent from the stainless steel surface.
- Thoroughly dry the stainless steel surface with a soft, clean cloth.

Stainless steel products exposed to aggressive conditions, such as offshore, marine and swimming pool environments, it is important that cleaning occurs more frequently for optimum appearance.

Discoloration

If damage or spots appear on the surface it may be due to impurities in the water, the air or cleaning agents that have not been thoroughly removed from the surface during the recommended maintenance of the product.

Warning! Avoid the following:

- Scouring powders
- Acidic or high chloride cleaners
- Salt (de-icing)
- Steel wool or brushes
- Strong abrasive materials
- Immersing the product in any liquid.
- Exposing the product in highly corrosive environment.

If damage or spots persistently appear on the surface after the recommended maintenance has been observed, stainless steel cleaners that clean and protect the metal may be used with care. The cleaning product must be applied on the stainless steel as instructed by its manufacturer.