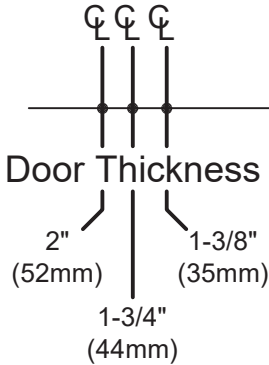


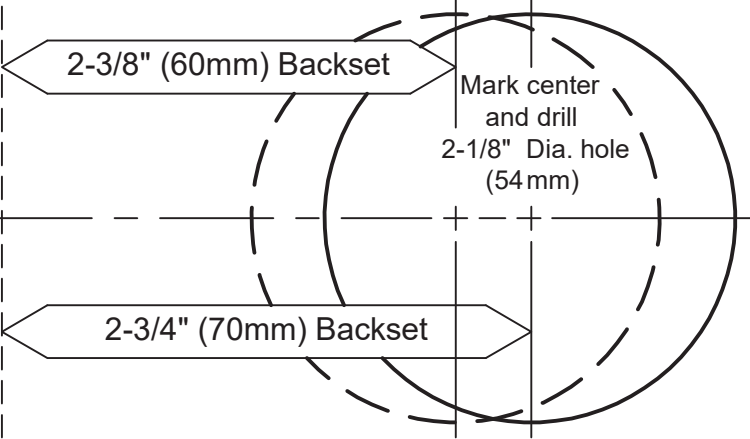
DOREX®

**TUBULAR
DEADLOCK**

Fold here and
place template
on high edge
of door bevel



Use 1" (25mm) drill
for Latches &
Deadbolts



Verfiy lock backset
before drilling.



*Do not use this template if it is not to
scale. Verify dimensions before use.*

WD-O2002(687)
DG1-DG2-TPL 2019-09