



- Certifications**
- Conforms to ANSI/BHMA A156.5, Grade 2
 - cULus listed, 2hr fire-rating
 - 3 Year limited mechanical warranty
 - 1 Year limited electronic warranty

Door Thickness • 1 $\frac{3}{8}$ –2" (35–51 mm)

Handing • Non handed

Backset • 2 $\frac{3}{8}$ –2 $\frac{3}{4}$ " (60–70 mm) adjustable

Deadbolt • Steel with hardened steel security pin
• 1" (25.4 mm) throw

Faceplate • Fixed mortise type, square corners
• 1 x 2 $\frac{1}{4}$ " (25.4x57 mm)

Strike • Security strike (wood frame), square corners
• 1 $\frac{1}{8}$ x2 $\frac{3}{4}$ " (28.5x70 mm)

Chassis • Steel cylinder housing
• Exposed mounting screws
• Exterior rubber gasket

Preparation • Cross bore: 2 $\frac{1}{8}$ " (54 mm)
• Edge bore: 1" (25.4 mm)

Cylinder • Solid brass, 5-pin (drilled 6)
• Schlage "C" keyway, 2 keys
• Removable, rekeyable

Other keyways and keying options available, including CX5 high security.

Interface • Digital touch keypad
• Blue LED back-light

Electronic Features

- 1 Programming code (8 digit)
- 25 User codes (4–8 digits)
- 4 Renewable single use codes
- Auto Lock with delay (99 sec. maximum)
- Vacation Mode (disables keypad)
- Optional random screen keypad activation code to prevent number probing
- Low battery power indicator

Wireless Protocol

- RFID - MIFARE™ 13.56 MHz (Classic 1K)
- 25 RFID token capacity
- 2 RFID cards included*
- Two-factor authentication mode available (requires user code and RFID token)

(Other single or dual frequency key fobs and bracelets available by special order.*

Power • DC 6V

Four (4) AA 1.5V alkaline batteries NOT included

Operation Temperature • -31° to 150.8°F (-35° to 66°C)
Temperature tolerance can vary due to weather conditions

Function 51 Single cylinder, thumb-turn

Finish 15–Satin nickel, 19–Matte black

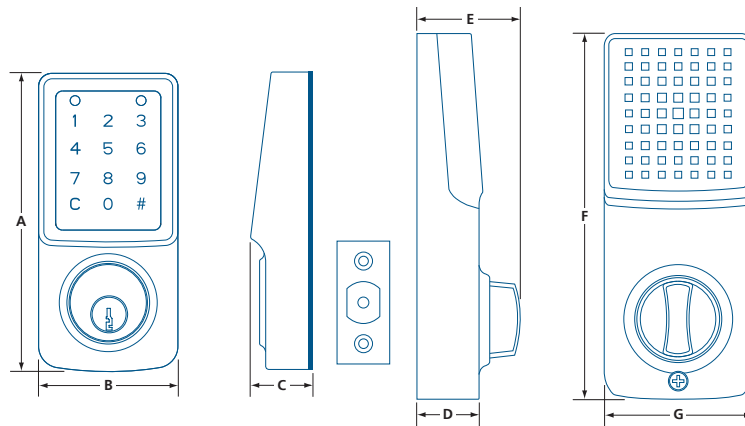
Other finishes available by special order

ASM	-	F400T	-	NR	-	2		51		KD		M	-	15
TYPE		SERIES		PROTOCOL		KEYWAY		FUNCTION		KEYING		LATCH		FINISH

SELECTION GUIDE

SERIES	DESCRIPTION	FINISH ¹	/CASE
ASM-F400T-NR	RFID Electronic deadbolt with LED digital touch keypad. 	15, 19	6

(1) OTHER FINISHES AVAILABLE, MINIMUM ORDER QUANTITIES AND/OR ADDITIONAL DELIVERY TIMES MAY BE REQUIRED
 KEYED FUNCTION; FULL KEYING SERVICES AVAILABLE



	A	B	C	D	E	F	G
F400T	5 ⁷ / ₁₆ (138)	2 ¹ / ₂ (65)	1 ¹ / ₈ (29)	1 ¹ / ₈ (30)	2 (51.5)	6 ¹³ / ₁₆ (173)	2 ³ / ₄ (70)

IN (MM)

PARTS & ACCESSORIES



A-F400-PBC
Replacement battery cover for F400T.



A-F4-PDW
11 in (28 cm) data wire.



A-PDMF-BU
Single frequency RFID (13.56 MHz),
Classic 1K key fob.



A-F400-PIG
Optional rubber gasket for interior trim
for F400T. *Not included.*

