



- Certifications**
- cULus listed, 3hr fire-rating
  - 5 Year limited warranty

- Power Size**
- Fixed power size 3

- Body Material**
- Cast aluminum body, painted finish

- Mechanism**
- Hydraulic rack and pinion operation

- Fluid**
- Non-gumming, non-freezing hydraulic fluid
  - Operating range of -30° to 49° C (-22° to 120° F)

- Adjustments**
- Sweep speed adjustment valve
  - Latching speed adjustment valve

**Cover** —

- Handing**
- Non-handed

- Opening**
- 100° maximum (ehold open)
  - 120° maximum (no hold open)

- Door Type**
- For interior wood or hollow metal doors over 1¾" (44.5 mm) thick
  - Door must be hung using butt or pivot hinges

- Mounting**
- Installs in to top of door
  - Can be installed in door frame

- Hardware**
- Wood & machine screws

- Arm**
- Sliding arm , surface mounted, with adjustable hold open\*

(\* ) Not to be used on fire rated doors

- Finish** AL—Aluminum, painted

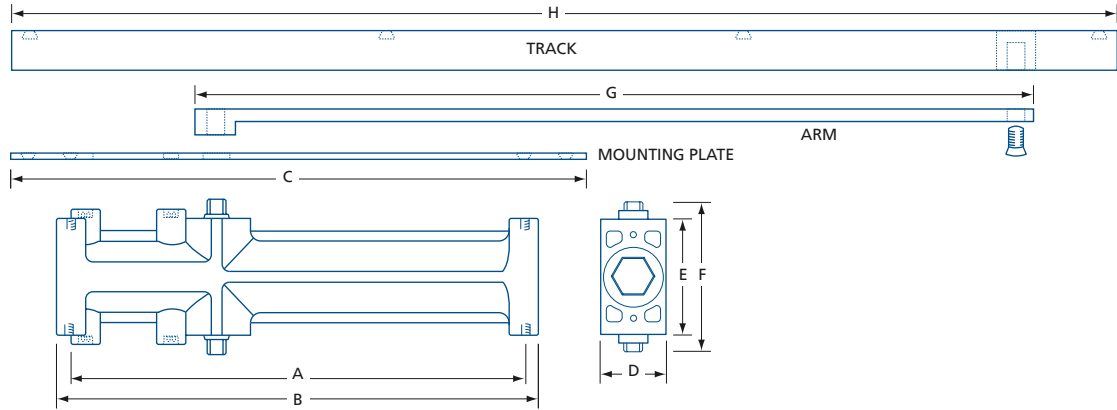
Other finishes available by special order

DC3033	AL
MODEL	FINISH

## SELECTION GUIDE

MODEL	POWER SIZE	WEIGHT CAPACITY <sup>1</sup>	MAX. DOOR WIDTH <sup>2</sup>	BACKCHECK	DELAYED ACTION	FINISH	/CASE
DC3033	3	88-144 (40-65)	36 (914)	—	—	AL	10

(1) RECOMMENDED DOOR WEIGHT CAPACITY RANGE IN POUNDS (KILOGRAMS) (2) RECOMMENDED MAXIMUM DOOR WIDTH IN INCHES (MILLIMETRES)



MODEL	A	B	C	D	E	F	G	H
DC3033	$8\frac{5}{8}$ (219)	$9\frac{1}{16}$ (230)	$10\frac{15}{16}$ (275)	$1\frac{1}{4}$ (32)	$2\frac{7}{32}$ (56)	$2\frac{7}{8}$ (72)	$14\frac{1}{2}$ (368)	$18\frac{1}{8}$ (460)

IN (MM)

