



BHMA
CERTIFIED

G1

UL
LISTED

3H

♿

8

5
YEAR

- Certifications**
- Certified ANSI/BHMA A156.13, Series 1000, Grade 1
 - cULus listed, 3hr fire-rating
 - UL10C Positive Pressure Rated
 - Levers meet ADA (ANSI 117.1) requirements
 - 5 Year limited warranty

- Door Thickness**
- 1¾" (44.5 mm)
 - 2-2¼" (51-57 mm) – available

- Handing**
- Handed, field reversible

- Backset**
- 2¾" (70 mm)

- Spring Latch**
- Brass, anti-friction
 - ¾" (19 mm) throw
 - Auxiliary deadlocking latch

- Deadbolt**
- Solid bolt, 2 security pins
 - 1" (25.4 mm) throw

- Faceplate**
- 1¼ x 8" (32x203 mm), square corners
 - Adjusts for bevelled doors up to ⅛" (3 mm)

- Strike**
- ANSI-type strike and dust-box

- Cylinder**
- 6 pin mortise cylinder
 - Schlage "C" with 2 keys
 - Small format interchangeable core (SFIC) mortise housing available (SFIC not included)
- Other keyways and keying options available, including CX5 high security*

- Sectional Trim**
- Brass lever or knob
 - Brass rose
 - S-Round: ø 2⅞ x ½" (61.5 x 12.7 mm)
 - SQ-Square: 1⅞ x 1⅞ x ½" (48 x 48 x 12.7 mm)

- Escutcheon Trim**
- Brass lever or knob
 - Brass escutcheon
 - E-Regular 2 x 8⅞ x ½" (50 x 205 x 12.7 mm)
 - E2-Wide 2½ x 8⅞ x ½" (63 x 210 x 12.7 mm)
 - E3-Large 2¾ x 10¾ x ½" (70 x 273 x 12.7 mm)

- Chassis**
- Rose trim: concealed mounting screws
 - Thumb-turn: exposed mounting screws
 - Escutcheon: exposed mounting screws
 - Single action egress

- Functions**
- | | |
|------------------------|--------------------------|
| 10 Passage | 80 Storeroom |
| 42 Privacy | 84 Storeroom w/ deadbolt |
| 42I Privacy, indicator | 170 Dummy, surface* |
| 45 Entry | 171 Dummy, thru-bolt* |
| 50 Office | 172 Dummy, back-to-back |
| 56 Dormitory | |
| 70 Classroom | |

(* Sold in pairs.)

- Lever Styles** A-Apollo, R-Circa, C-Cornell, D-Dartmouth, G-Glasgow, L-Linea, S-Stanford, F-The Flat, T-Strata

- Knob Styles** K-Kent

- Finish** 15-Satin nickel, 19-Matte black, 26D-Satin chrome
- Other finishes available by special order*

DM	45	L	-	SQ	F	26D
SERIES	FUNCTION	HAND ¹⁾	TRIM	STYLE	FINISH	

(1) L-LEFT R-RIGHT

SELECTION GUIDE

SERIES	TRIM	STYLE**	FUNCTION ¹	FINISH ¹	/CASE
DM	S, SQ, E, E2, E3	ALL	10 Passage	15, 19, 26D	6
DM	S, SQ, E, E2, E3	ALL	42 Privacy, with deadbolt	15, 19, 26D	6
DM	E	ALL	42I Privacy indicator, with deadbolt ² ←	15, 19, 26D	6
DM	S, SQ, E, E2, E3	ALL	45 Entry, with deadbolt ←	15, 19, 26D	6
DM	S, SQ, E, E2, E3	ALL	50 Office ←	15, 19, 26D	6
DM	S, SQ, E, E2, E3	ALL	56 Dormitory, with deadbolt ←	15, 19, 26D	6
DM	S, SQ, E, E2, E3	ALL	70 Classroom ←	15, 19, 26D	6
DM	S, SQ, E, E2, E3	ALL	80* Storeroom ←	15, 19, 26D	6
DM	S, SQ, E, E2, E3	ALL	84* Storeroom, with deadbolt ←	15, 19, 26D	6
DM	S, SQ	ALL	170 Dummy, single (surface mount)	15, 19, 26D	6
DM	S, SQ	ALL	171 Dummy, single (thru-bolt)	15, 19, 26D	6
DM	S, SQ, E, E2, E3	ALL	172 Dummy, back-to-back	15, 19, 26D	6

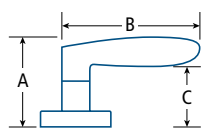
(1) OTHER FINISHES AND FUNCTIONS AVAILABLE, MINIMUM ORDER QUANTITIES AND/OR ADDITIONAL DELIVERY TIMES MAY BE REQUIRED – PLEASE CONTACT

(2) FOR DETAILS ABOUT ESCUTCHEON WITH OCCUPANCY INDICATOR - PLEASE CONTACT

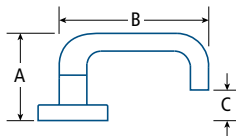
← KEYED FUNCTION; FULL KEYING SERVICES AVAILABLE – PLEASE CONTACT (*) ONE-SIDED INSTALLATION MODEL AVAILABLE (**) XT / INTERSECT NOT AVAILABLE WITH ESCUTCHEON

LEVERS & KNOBS

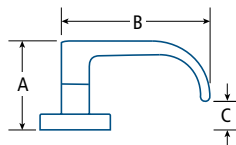
A–Apollo



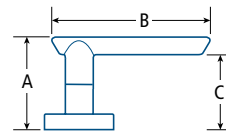
C–Cornell



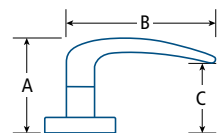
D–Dartmouth



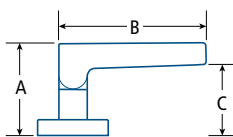
F–The Flat



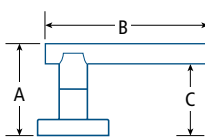
G–Glasgow



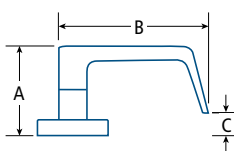
L–Linea



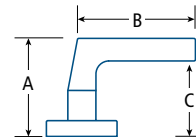
R–Circa



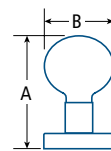
S–Stanford



T–Strata



K–Kent



STYLE	A	B	C ¹
A–Apollo*	3 ¹ / ₁₆ (78)	4 ⁵ / ₈ (116)	2 ¹ / ₁₆ (53)
C–Cornell	2 ⁷ / ₈ (73)	5 ⁵ / ₁₆ (134)	⁵ / ₈ (16)
D–Dartmouth	2 ⁷ / ₁₆ (61.5)	5 ⁷ / ₈ (149)	1 ¹ / ₁₆ (17)
F–The Flat	2 ⁷ / ₈ (73)	5 ¹ / ₂ (139.7)	2 ³ / ₁₆ (55.5)
G–Glasgow	2 ⁷ / ₈ (73)	5 ¹ / ₁₆ (128)	2 ¹ / ₁₆ (52)

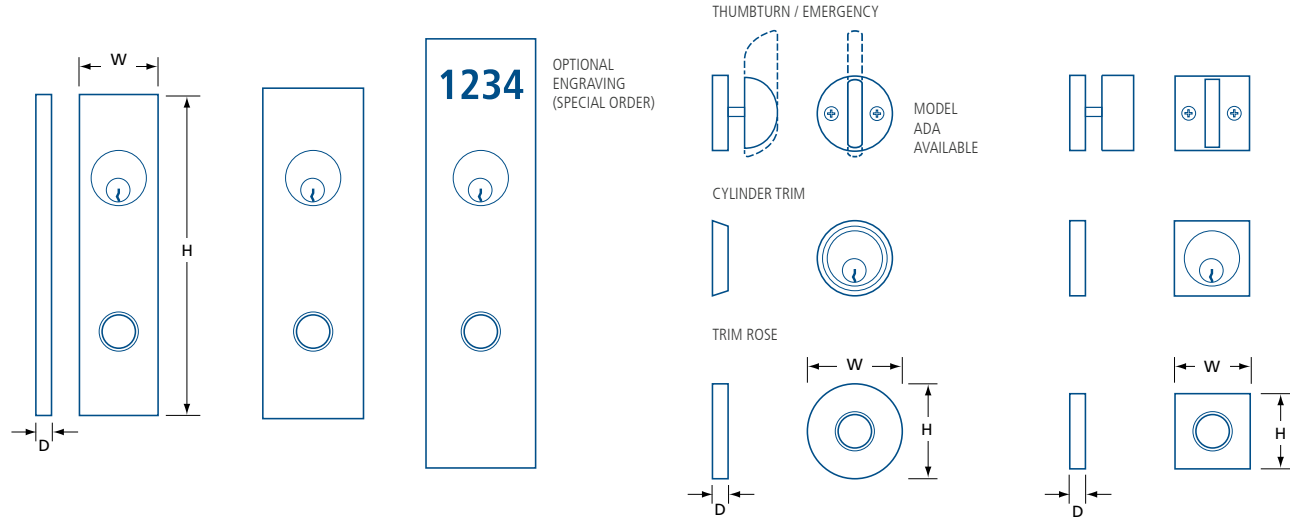
STYLE	A	B	C ¹
L–Linea	2 ¹³ / ₁₆ (71.4)	5 (127)	1 ¹⁵ / ₁₆ (48.4)
R–Circa	2 ⁹ / ₁₆ (65.5)	5 ¹ / ₂ (139.7)	1 ⁷ / ₈ (47)
S–Stanford	2 ⁹ / ₁₆ (65.5)	5 ¹ / ₁₆ (128)	⁹ / ₁₆ (14)
T–Strata	3 ¹ / ₈ (79.4)	5 ⁵ / ₈ (130.2)	2 ¹ / ₈ (54)
K–Kent	2 ⁷ / ₁₆ (61.5)	∅ 2 (50.8)	—

IN (MM) (1) ALL ROSES AND ESCUTCHEONS ARE 12.7 (1/2) THICK

(*) HANDED LEVER, NOT FIELD REVERSIBLE,
(**) SECTIONAL ONLY, NOT AVAILABLE WITH ESCUTCHEON



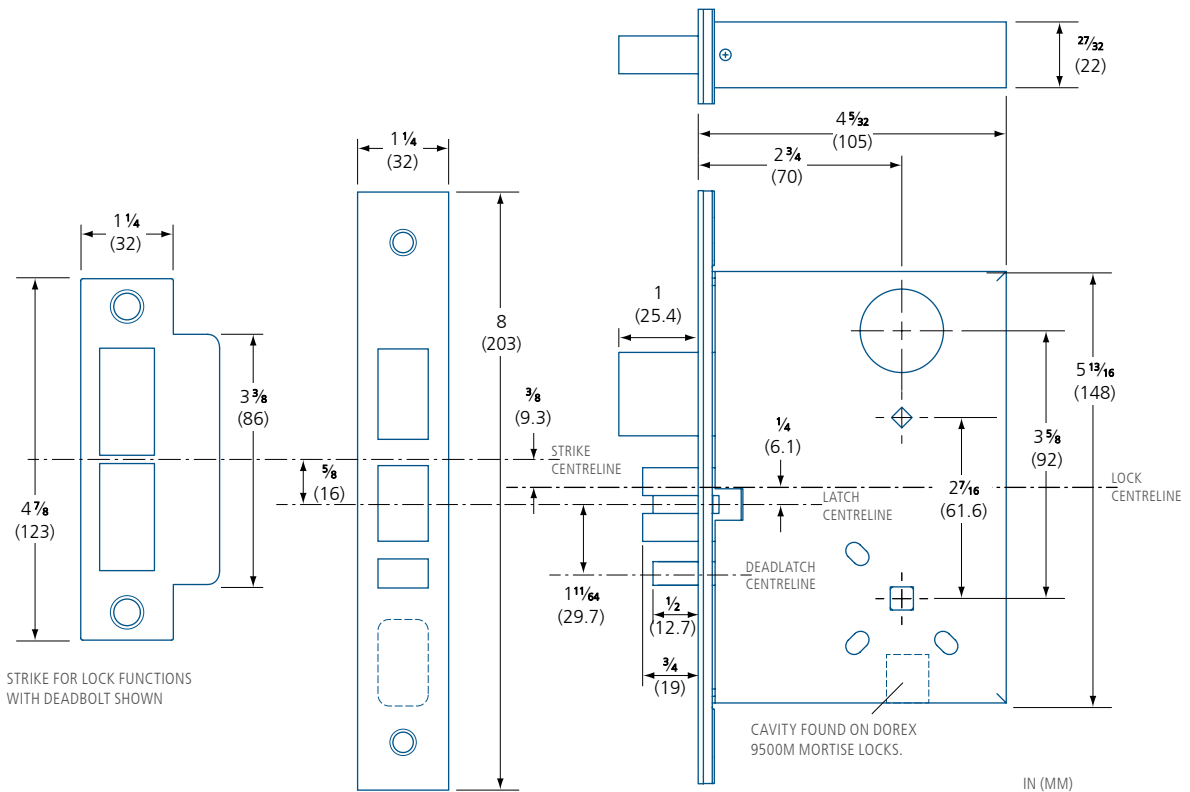
LOCK TRIMS



TRIM	ESCUTCHEON TRIM			SECTIONAL ROUND			SECTIONAL SQUARE		
	E	E2	E3 ¹	S			SQ		
Description	Regular escutcheon	Wide escutcheon	Large escutcheon	Round rose	Cylinder trim	Thumbturn	Square rose	Cylinder trim	Thumbturn
Width (W)	2 (50)	2 1/2 (64)	2 3/4 (70)	ø 2 3/8 (60)	ø 1 13/16 (46)	ø 1 3/4 (44.4)	ø 1 7/8 (48)	ø 1 7/8 (47.6)	ø 1 7/8 (47.6)
Height (H)	8 1/16 (205)	8 1/4 (210)	10 3/4 (273)	1/2 (12.7)	7/16 (11.1)	3/16 (4.7)	1/2 (12.7)	3/8 (9.5)	3/8 (9.5)
Depth (D)	1/2 (12.7)	1/2 (12.7)	1/2 (12.7)	1/2 (12.7)	7/16 (11.1)	3/16 (4.7)	1/2 (12.7)	3/8 (9.5)	3/8 (9.5)
Material	Brass	Brass	Brass	Brass	Brass	Brass	Brass	Brass	Brass

IN (MM) (1)OPTIONAL ENGRAVING AVAILABLE-PLEASE CONTACT

DIMENSIONS



MUST BE INSTALLED ON A DOOR WITH A SOLID LOCK STILE WIDTH OF AT LEAST 5" (127 MM) OR WITH APPROPRIATE REINFORCEMENT.

⚠ WHEN USED WITH ELECTRIC STRIKE PLEASE REQUEST ADDITIONAL INFORMATION.

PARTS & ACCESSORIES



DM45X-PS
Replacement strike for 1 $\frac{3}{4}$ (45) thick door.
(Functions 42, 45, 56, 84)



DM80X-PS
Replacement strike for 1 $\frac{3}{4}$ (45) thick door.
(Functions 10, 50, 70, 80)



DM42X-PE
Mortise lock emergency privacy key; round.
Includes plate and screws.
Finish: 15, 19, 26D



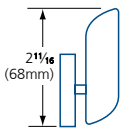
DM42X-PES
Mortise lock emergency privacy key; square.
Includes plate and screws.
Finish: 15, 19, 26D



DM45X-PT
Mortise lock thumbturn; round. Mounting screws included.
Finish: 15, 19, 26D



DM45X-PTS
Mortise lock thumbturn; square. Mounting screws included.
Finish: 15, 19, 26D



DM45X-PTA
Mortise lock ADA thumbturn; round.
Mounting screws included.
Finish: 15, 19, 26D



DM00X-PPRVI
Sectional occupancy indicator. Includes round interior/exterior trims for use with privacy (42) function. For 1 $\frac{3}{4}$ " (44.5) thick wood door. Mounting hardware included. Finish: 15, 26D



DM00X-PPRVIQ
Sectional occupancy indicator. Includes square interior/exterior trims for use with privacy (42) function. For 1 $\frac{3}{4}$ " (44.5) thick wood door. Mounting hardware included. Finish: 15, 26D



DM00X-PPRVI-ECYL
Sectional keyed occupancy indicator. Includes round interior/exterior trims for use with keyed functions 45, 56, or 84. For 1 $\frac{3}{4}$ " (44.5) thick wood door. Mounting hardware and DM00X-ECYL cylinder with 2 keys included. Finish: 15, 26D



DM00X-PPRVIQ-ECYL
Sectional keyed occupancy indicator. Includes square interior/exterior trims for use with keyed functions 45, 46, or 84. For 1 $\frac{3}{4}$ " (44.5) thick wood door. Mounting hardware and DM00X-ECYL cylinder with 2 keys included. Finish: 15, 26D



DM45X-PR
Mortise cylinder collar with spring; round.
1 $\frac{11}{16}$ x $\frac{3}{8}$ (\varnothing 43 x 9)
Finish: 15, 19, 26D



DM45X-PRS
Mortise cylinder collar with spring; square.
1 $\frac{7}{8}$ x 1 $\frac{7}{8}$ x $\frac{3}{8}$ (48 x 48 x 9)
Finish: 15, 19, 26D



DM00X-PSCYL

- 1 $\frac{1}{8}$ (28.6) 5-pin (drilled 6) brass mortise cylinder; Schlage "C" with 2 keys.
- For sectional installations on 1 $\frac{3}{4}$ (45) thick doors.
- Includes DM00X-PCAM.
- Finish: 15, 19, 26D

DM00X-PECYL

- 1 $\frac{1}{4}$ (31.8) 5-pin (drilled 6) brass mortise cylinder; Schlage "C" with 2 keys.
- For escutcheon installations on 1 $\frac{3}{4}$ (45) thick doors.
- Includes DM00X-PCAM.
- Finish: 15, 19, 26D

DM00X-PCAM
Replacement mortise cylinder cam, with screws

NOTE: OTHER CYLINDERS MAY REQUIRE A DIFFERENT CAM. PLEASE CONTACT IF USING A DIFFERENT CYLINDER. OTHER CAMS SOLD SEPARATELY.



DM00X-PKDT225
Installation kit for 2–2 $\frac{1}{4}$ (51–57) thick doors.

- Includes extended emergency thumbturn, spindle, springs, strike and mounting hardware for sectional or escutcheon trim.
- Mortise cylinder NOT INCLUDED. Please contact for details.

