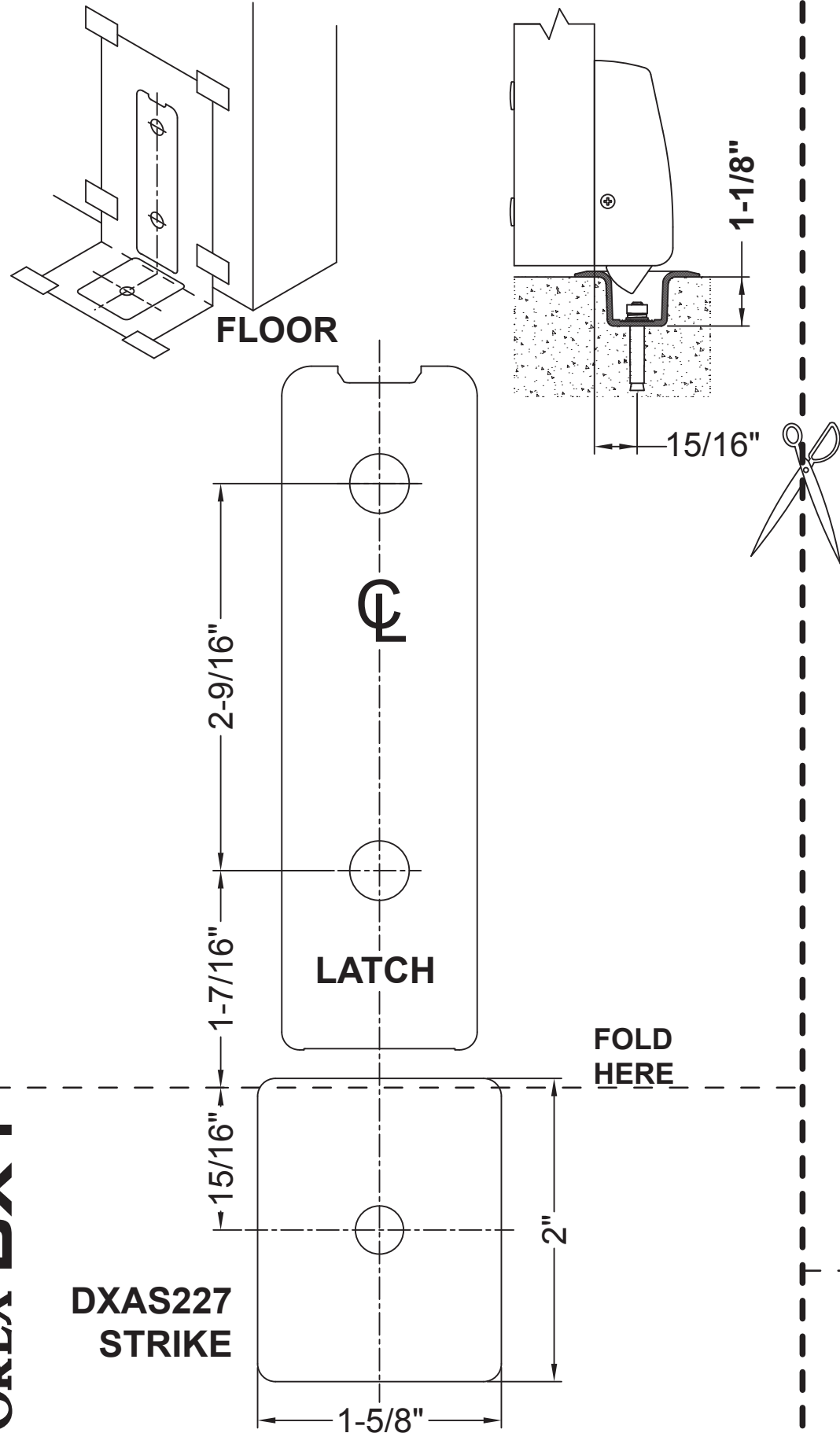


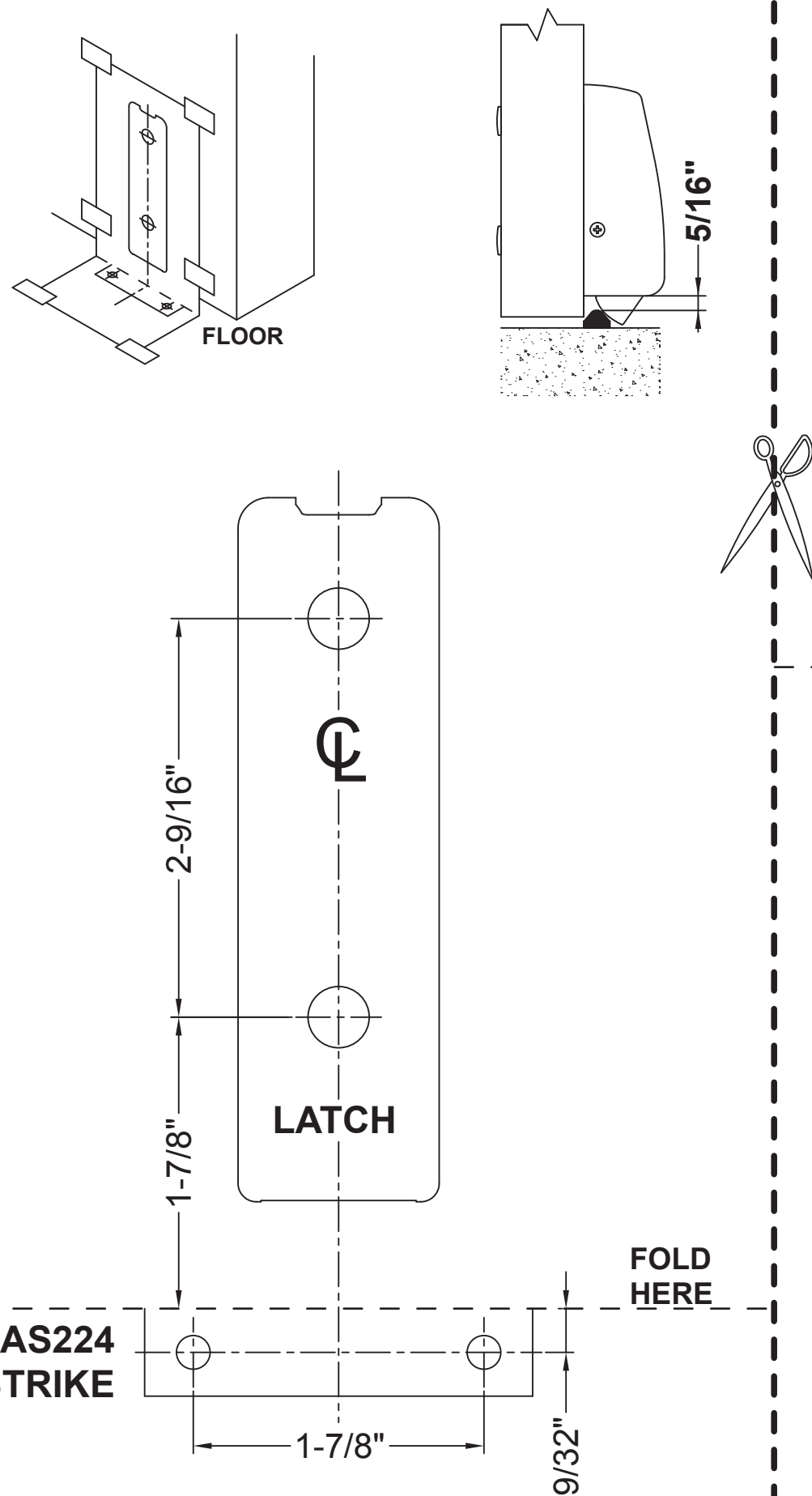
# BOTTOM LATCH & DXAS227

**!** Do not use template if not to scale. To verify, confirm dimensions. Verify template version before use. We recommend samples be used to verify preparation before door / frame manufacturing.



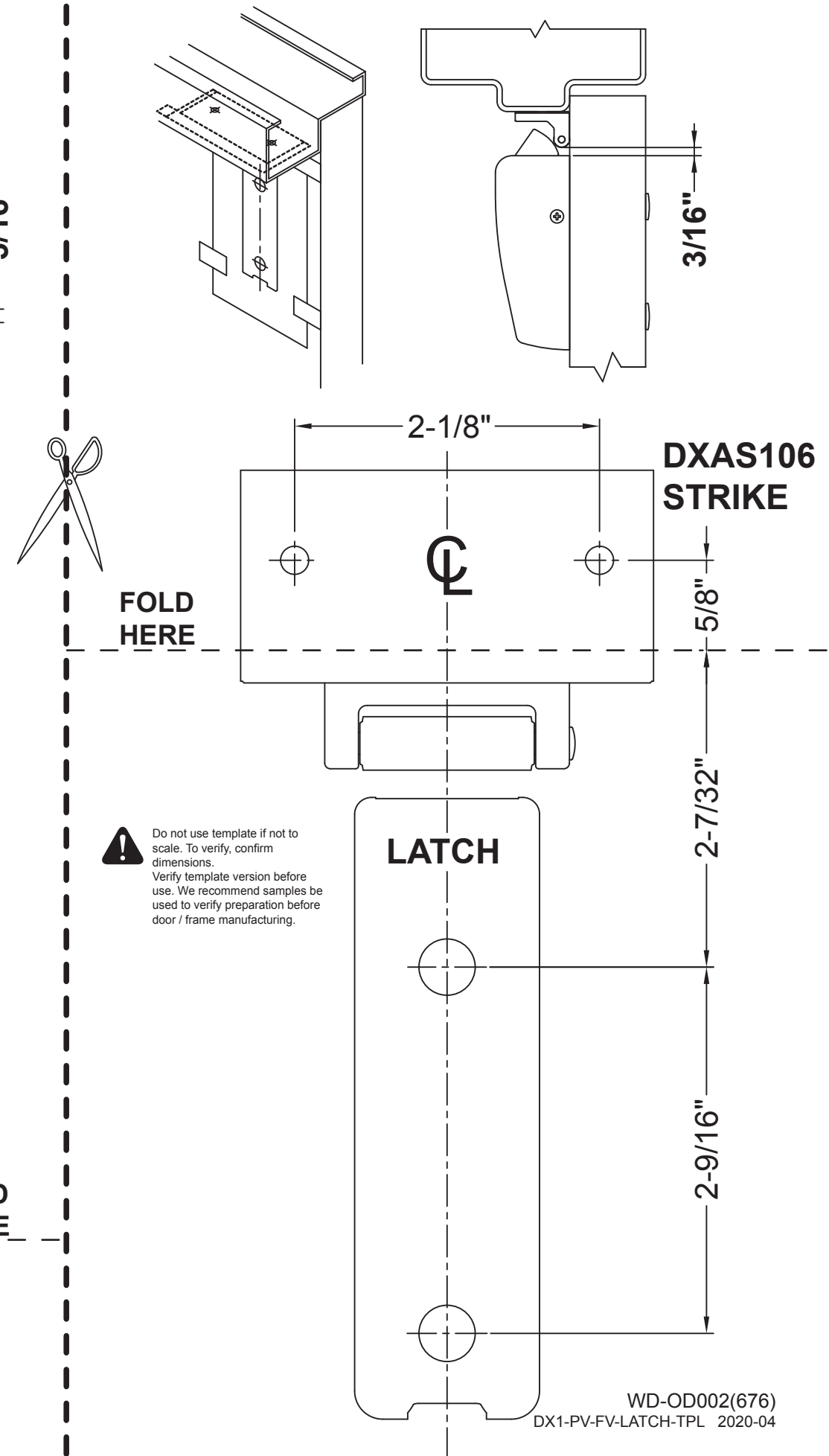
# BOTTOM LATCH & DXAS224

**!** Do not use template if not to scale. To verify, confirm dimensions. Verify template version before use. We recommend samples be used to verify preparation before door / frame manufacturing.



# TOP LATCH & DXAS106

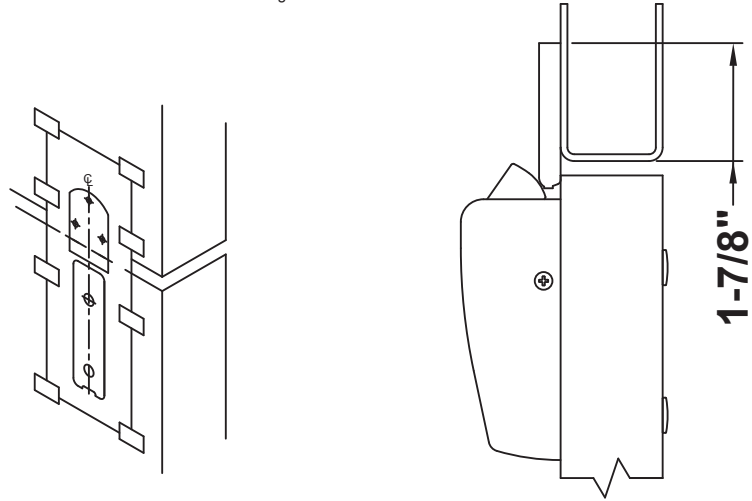
**!** Do not use template if not to scale. To verify, confirm dimensions. Verify template version before use. We recommend samples be used to verify preparation before door / frame manufacturing.



**DOREX DX1**

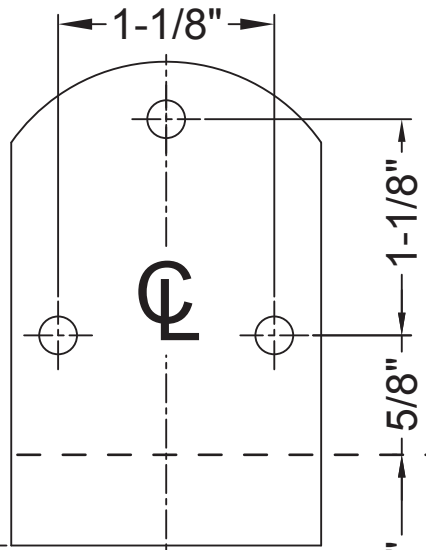
# TOP LATCH & DXAS215

**!** Do not use template if not to scale. To verify, confirm dimensions. Verify template version before use. We recommend samples be used to verify preparation before door / frame manufacturing.

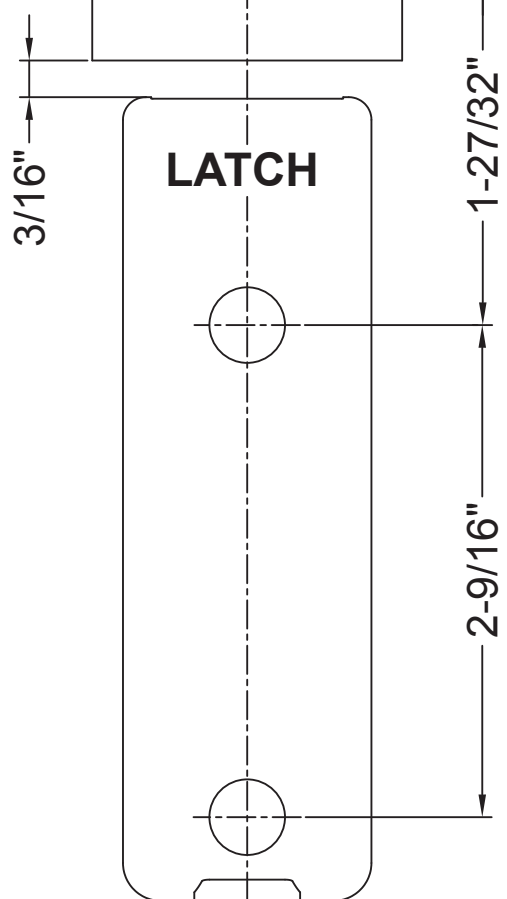


**DXAS215 STRIKE**

**TOP OF DOOR**

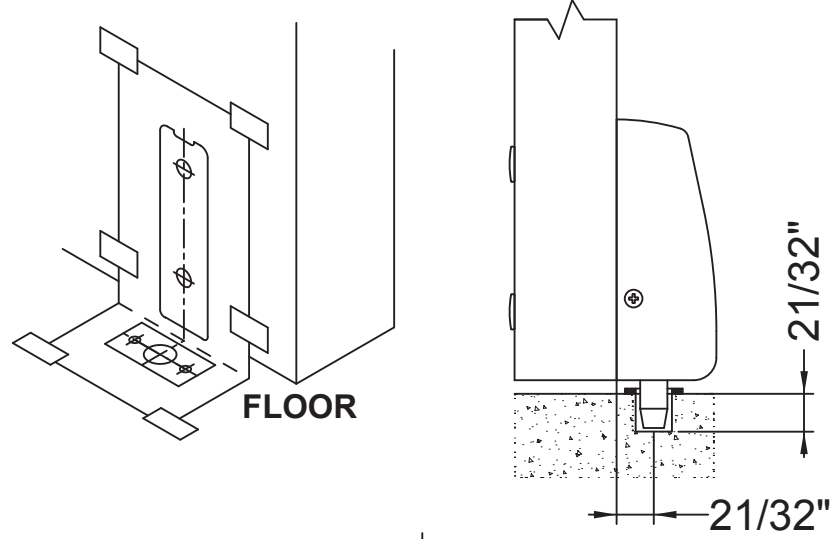


**LATCH**

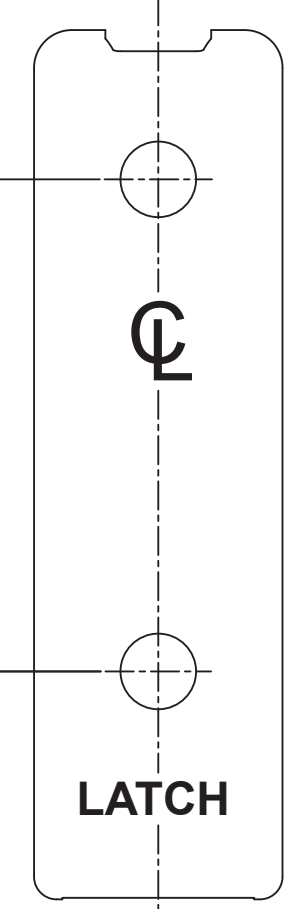


# BOTTOM LATCH & DXAS225

**!** Do not use template if not to scale. To verify, confirm dimensions. Verify template version before use. We recommend samples be used to verify preparation before door / frame manufacturing.

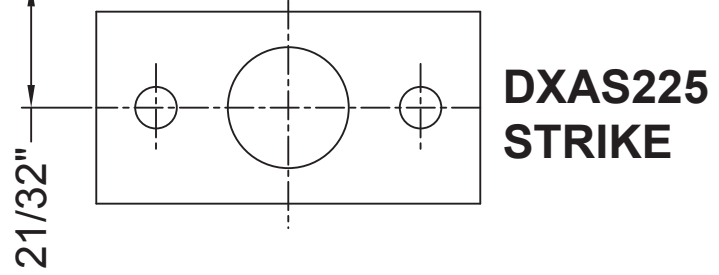


**FLOOR**



**LATCH**

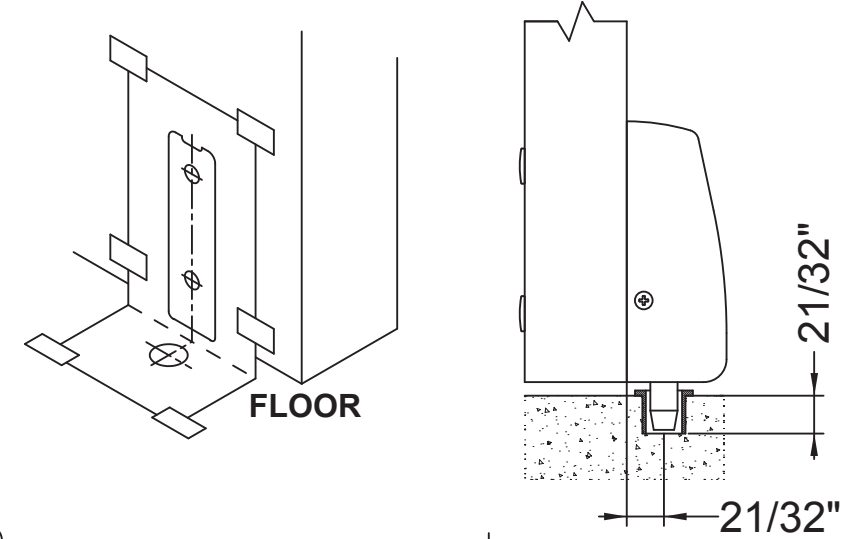
**FOLD HERE**



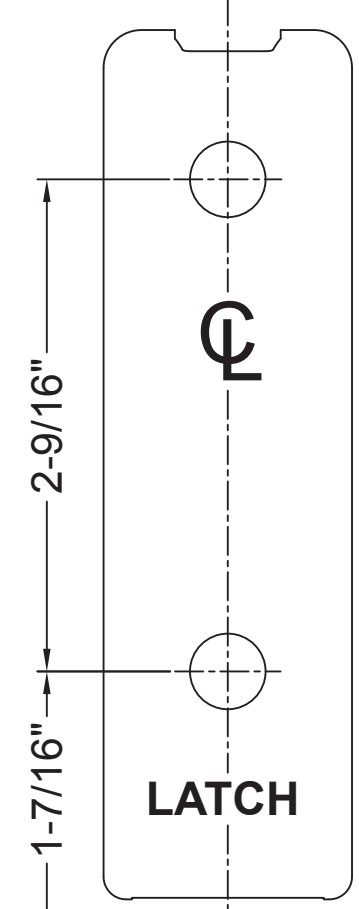
**DXAS225 STRIKE**

# BOTTOM LATCH & DXAS226

**!** Do not use template if not to scale. To verify, confirm dimensions. Verify template version before use. We recommend samples be used to verify preparation before door / frame manufacturing.

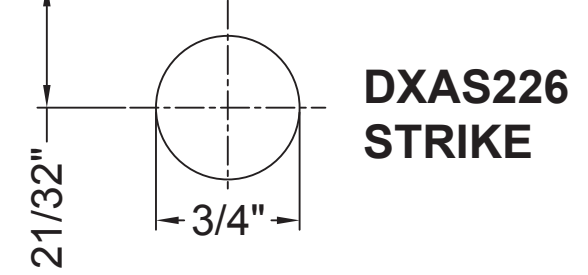


**FLOOR**



**LATCH**

**FOLD HERE**



**DXAS226 STRIKE**

**DOREX DX1**