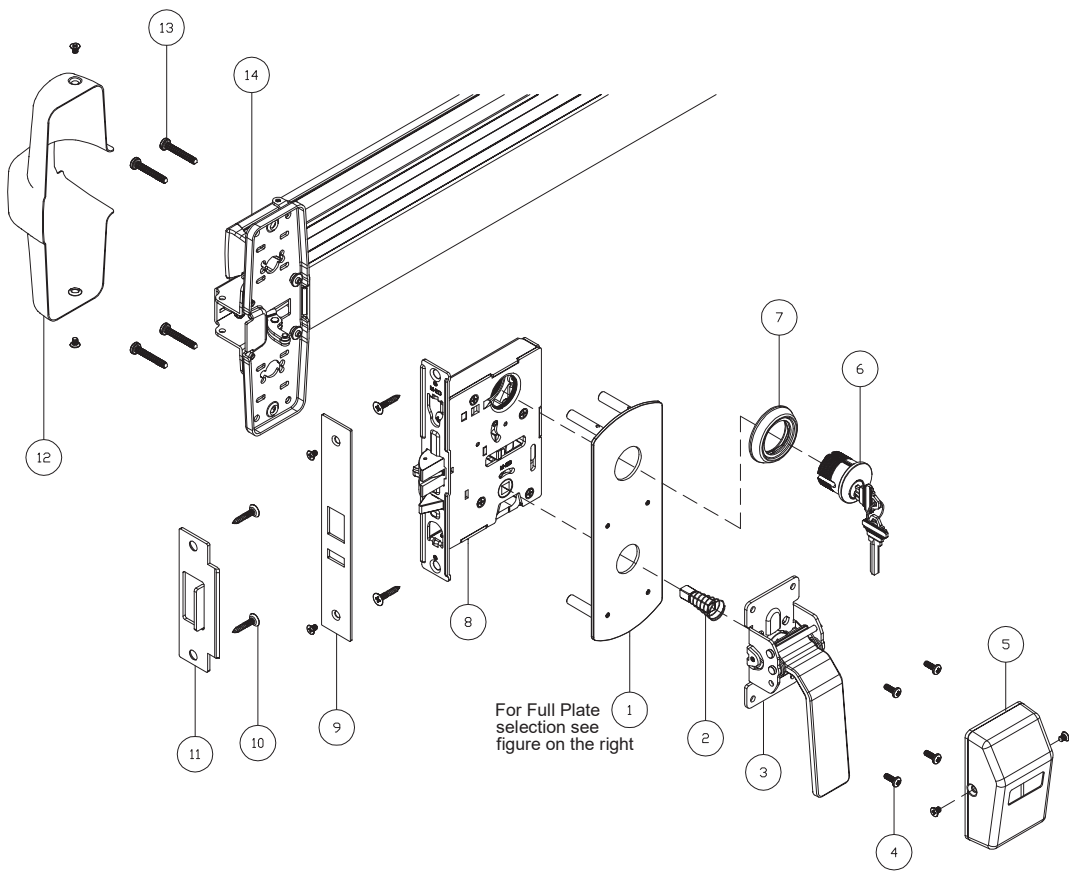


DOREX® DX1 THM

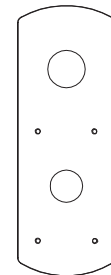
Installation Instructions

Pull Latch

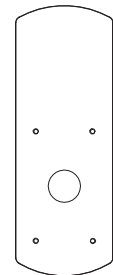


ITEM	DESCRIPTION	QTY
1	FULL PLATE	1
2	SPINDLE	1
3	PULL HANDLE ASSEMBLY	1
4	SCREW	1
5	COVER	1
6	CYLINDER	1
7	CYLINDER GUARD	1
8	MORTISE CASE	1
9	ARMOR FRONT	1
10	SCREW	4
11	STRIKE	1
12	DEVICE COVER	1
13	MOUNTING SCREW	4
14	EXIT DEVICE	1

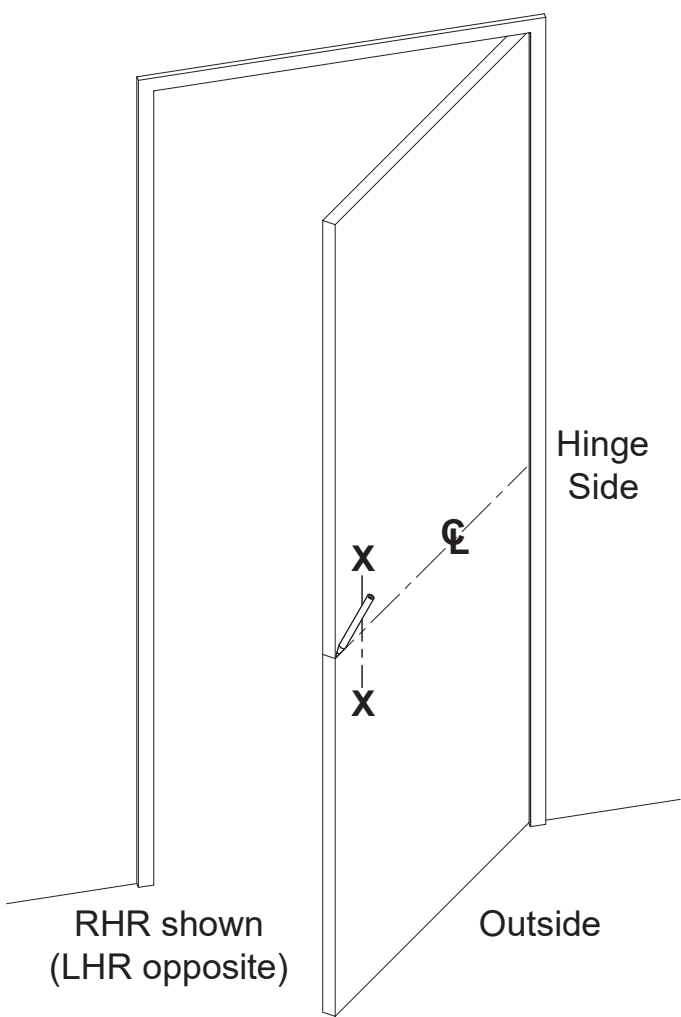
Note: 8~14 are sold separately.



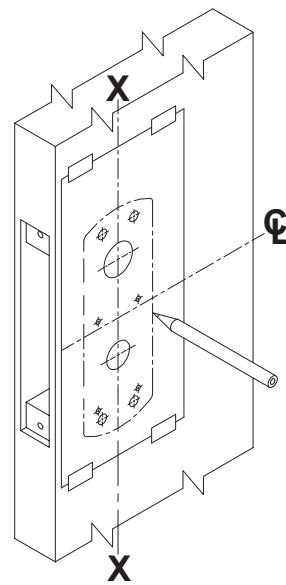
For DX1THM08RHR
DX1THM08LHR



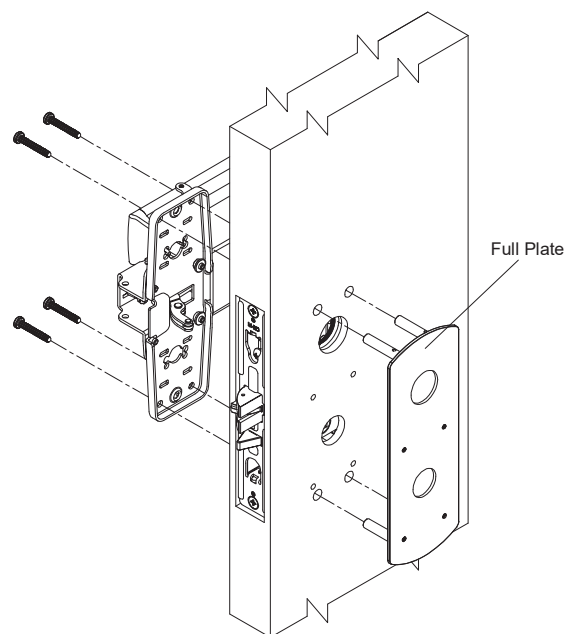
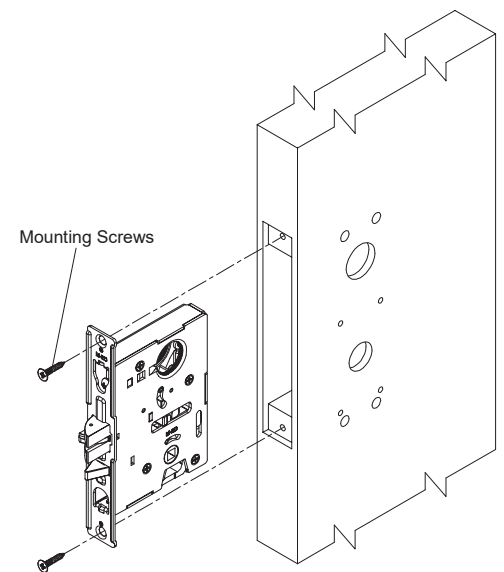
For DX1THM14RHR
DX1THM14LHR



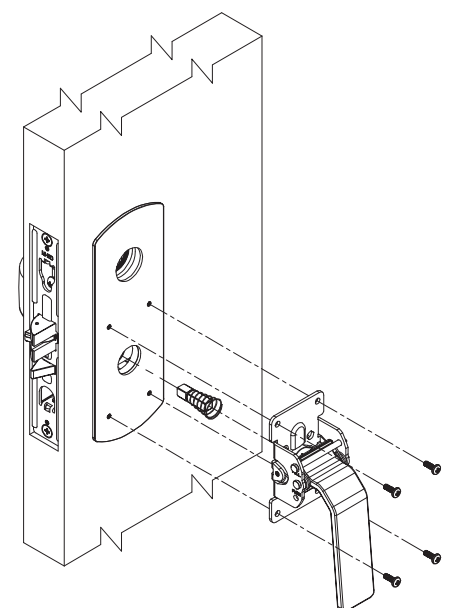
1. Prepare door for exit device. See exit device instructions for holes, backset (line X-X), and center lines.
2. Transfer line X-X from inner (exit device) side of door to outer (trim side) of door. Be extra careful if edge of door is beveled. Make sure line X-X is parallel to edge of door.

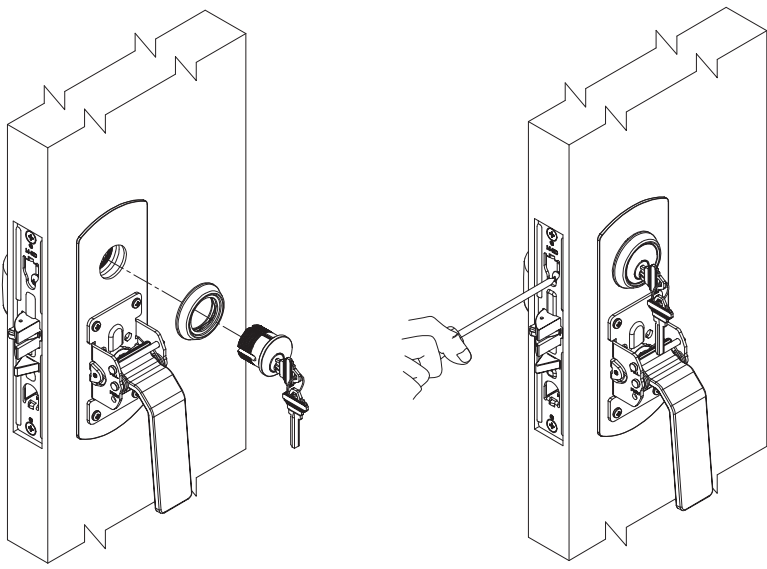


3. Align and stick template onto door, mark position and drill.
4. Install Mortise and fasten with mounting screws.

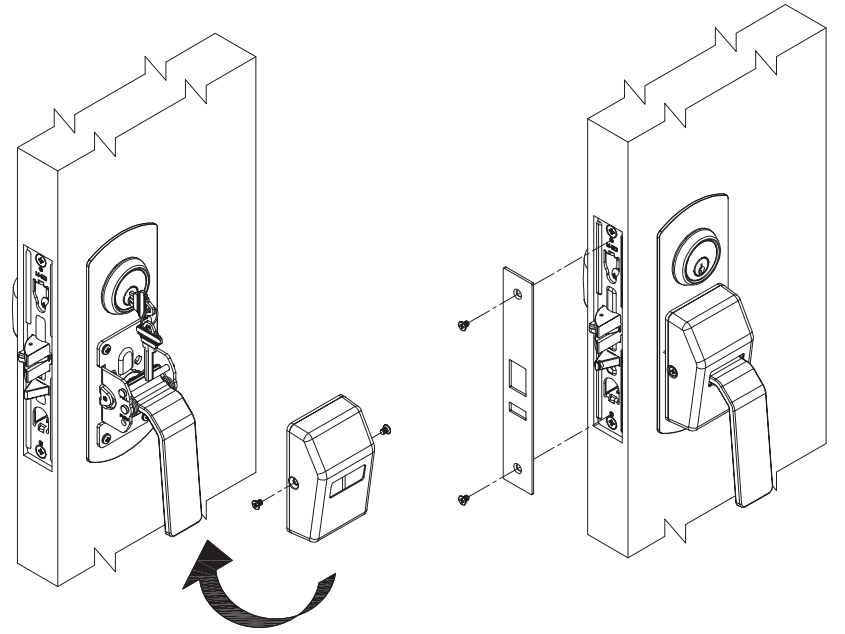


5. Place Full Plate and Exit device onto door according to product's installation instructions.
6. Install spindle and Pull Handle Assembly and fasten.





7. Place cylinder if using one.
8. Hold cylinder in position by fastening screw.



9. Insert cover through bottom of paddle.
10. Fix cover in place with screws.
11. Place armor front.

Door Handing

Product is handed - specify when ordering.

