

GENERAL NOTES:

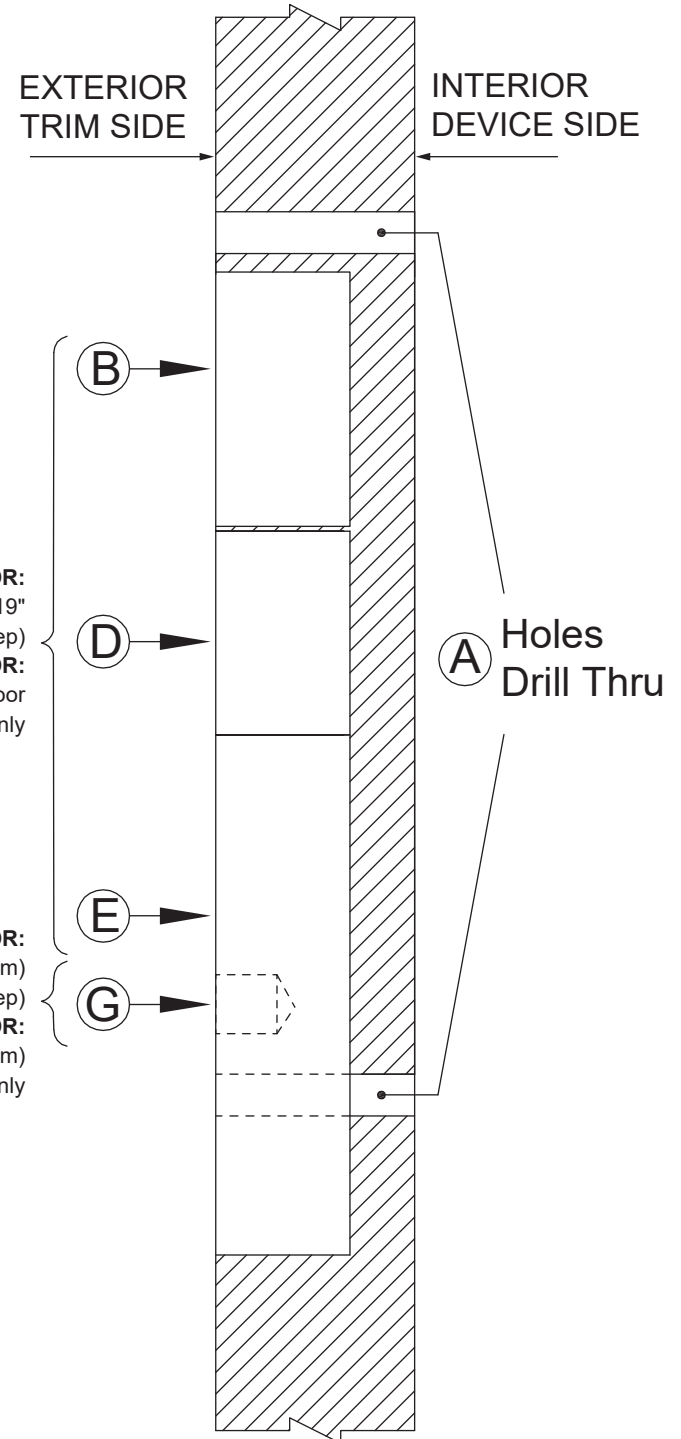
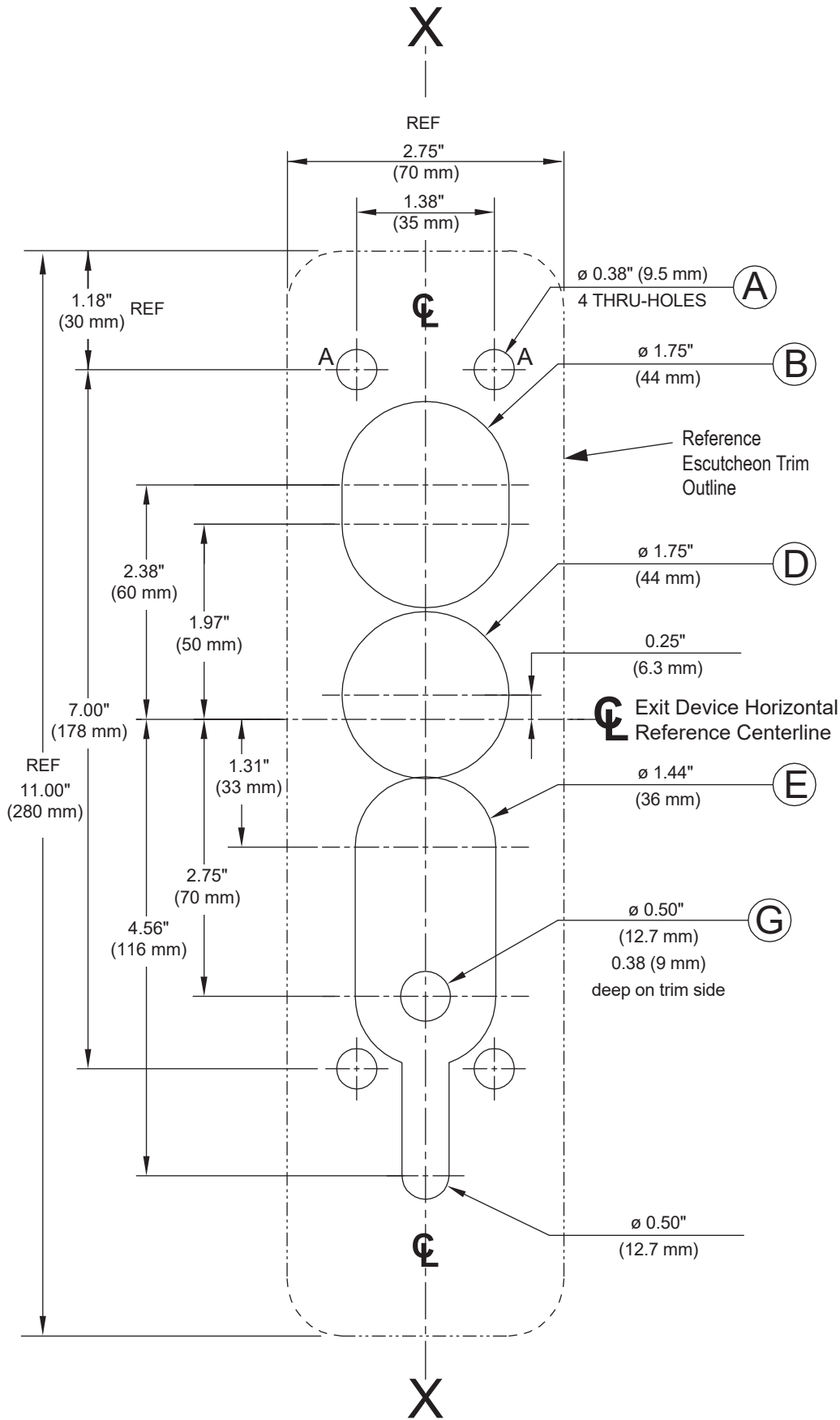
1. Match the door exterior trim vertical and horizontal centerlines with the door interior exit device vertical and horizontal centerlines.
2. Refer to the applicable trim installation instructions with the required functions
3. Consult table below and prepare cutouts and holes on the EXTERIOR (trim side) side of the door only for the trim and function being installed. Use the exit device door preparation (provided on request) to prepare the required cutouts and/or holes on the INTERIOR (Exit Device) side of the door.
4. Mounting holes to be drilled at installation.



DRAWINGS ARE NOT TO SCALE.

Do not scale dimensions on these drawings USE FOR DOOR PREPARATION ONLY.

Verify that this is the latest version of this document. It is recommended to use samples to verify preparation before door / frame manufacturing.



Transfer line X-X from the interior side (exit device) of the door to the exterior door side (trim side) of the door. Use extra care if edge of door is beveled. Be sure line X-X is parallel to edge of door.

	DX1TER02	DX1TER08	DX1TER09	DX1TER14
Required Cutout And Hole Pattern				
ANSI	02	08	09	14
Function	Dummy	Classroom	Storeroom/Night Latch	Passage
Prepare	A + G	A + B + E	A + D + G	A + E