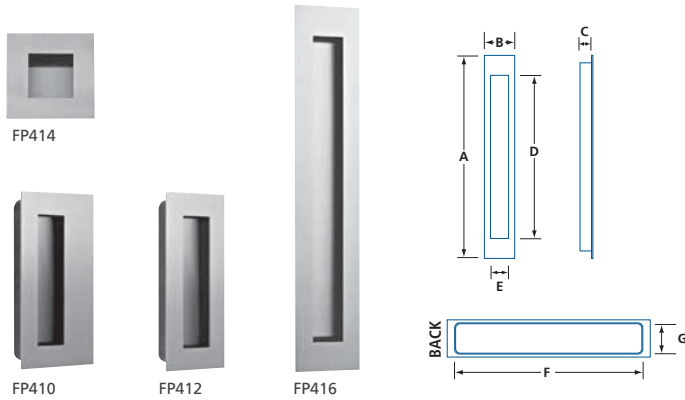


FLUSH PULLS

GENERAL HARDWARE

FLUSH PULLS

FP



- For wood doors and panels
- Press fit mounting
- Stainless steel with plastic components
- Available with or without spring cover

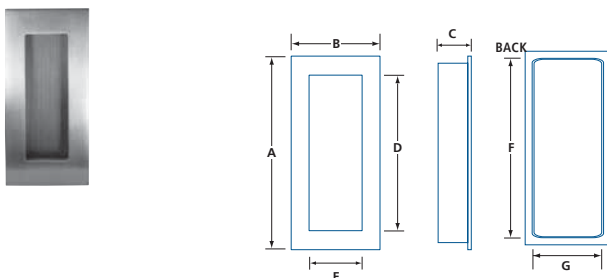
*Dimensions for reference only.
Please request samples prior to door preparation.*

MODEL	FINISH	A	B	C	D	E	F	G
FP410-135	-629,	5 ⁵ / ₁₆	2 ³ / ₄	1 ¹ / ₁₆	3 ¹⁵ / ₁₆	1	4 ¹⁵ / ₁₆	1 ¹³ / ₁₆
	-630	(135)	(70)	(17)	(100)	(25)	(125)	(46)
FP412-135	-629,	5 ⁵ / ₁₆	2 ³ / ₁₆	1 ¹ / ₁₆	3 ¹⁵ / ₁₆	1	4 ¹⁵ / ₁₆	1 ¹³ / ₁₆
	-630	(135)	(55)	(17)	(100)	(25)	(125)	(46)
FP412-135B	-630	5 ⁵ / ₁₆	2 ³ / ₁₆	7 ⁷ / ₁₆	3 ¹⁵ / ₁₆	1	4 ¹ / ₂	1 ¹ / ₄
		(135)	(55)	(11.5)	(100)	(25)	(114.5)	(32)
FP414-60	-629,	2 ³ / ₈	2 ³ / ₈	1 ¹ / ₁₆	1 ³ / ₁₆	1 ³ / ₁₆	2	2
	-630	(60)	(60)	(17)	(30)	(30)	(50)	(50)
FP416-300	-629,	11 ¹³ / ₁₆	2 ³ / ₁₆	1 ¹ / ₁₆	1	1	10 ⁷ / ₈	1 ¹³ / ₁₆
	-630	(300)	(55)	(17)	(25)	(25)	(276)	(46)

IN (MM)

FLUSH PULL

FPR1170



- For wood doors and panels
- Stainless steel

*Dimensions for reference only.
Please request samples prior to door preparation.*

MODEL	FINISH	A	B	C	D	E	F	G
FPR1170	-629	5 ³ / ₄	3 ³ / ₁₆	1 ¹ / ₁₆	4 ³ / ₄	1 ⁹ / ₁₆	5 ⁷ / ₁₆	2 ¹¹ / ₁₆
		(146)	(81)	(17)	(120)	(40)	(136)	(68)

IN (MM)