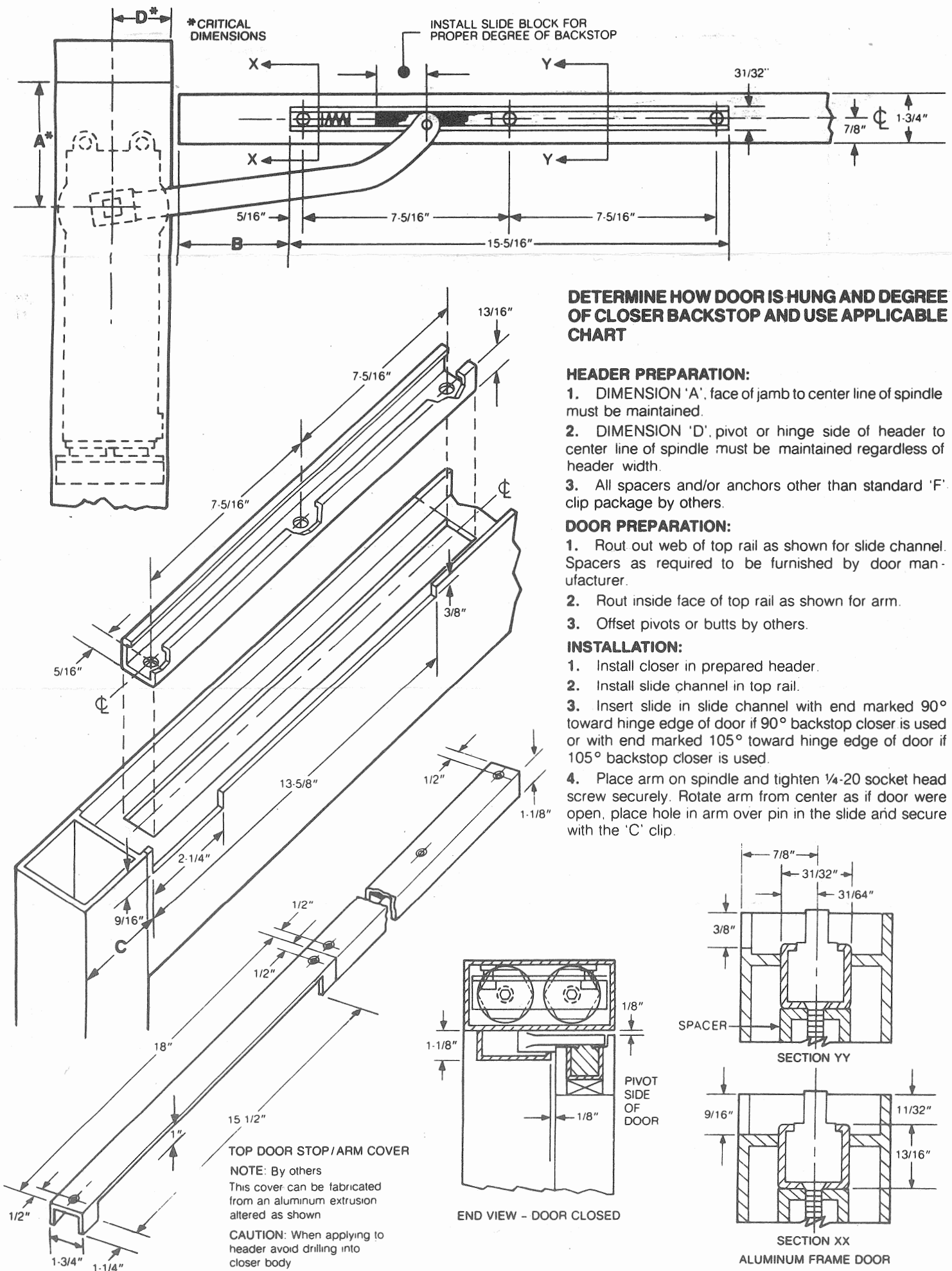


Offset Arm for OHC Aluminum Door & Frame

INSTALLATION INSTRUCTIONS



STANDARD BUTT HINGED DOOR MINIMUM 4" HEADER				
Backstop	A	B	C	D
105°	3 3/4"	3 7/8"	2 5/8"	2"
90°	2 7/8"	4 1/16"	1 3/4"	2"

3/4" OFFSET PIVOTED DOOR FLUSH DOOR MINIMUM 4" HEADER				
Backstop	A	B	C	D
105°	4 1/2"	4 11/16"	3 3/8"	2"
90°	3 3/4"	4 15/16"	2 3/8"	2"

5/8" OFFSET PIVOTED DOOR 1/8" RECESSED DOOR MINIMUM 4-1/2" HEADER				
Backstop	A	B	C	D
105°	4 1/2"	4 11/16"	3 3/8"	2 1/8"
90°	3 3/4"	4 15/16"	2 3/8"	2 1/8"